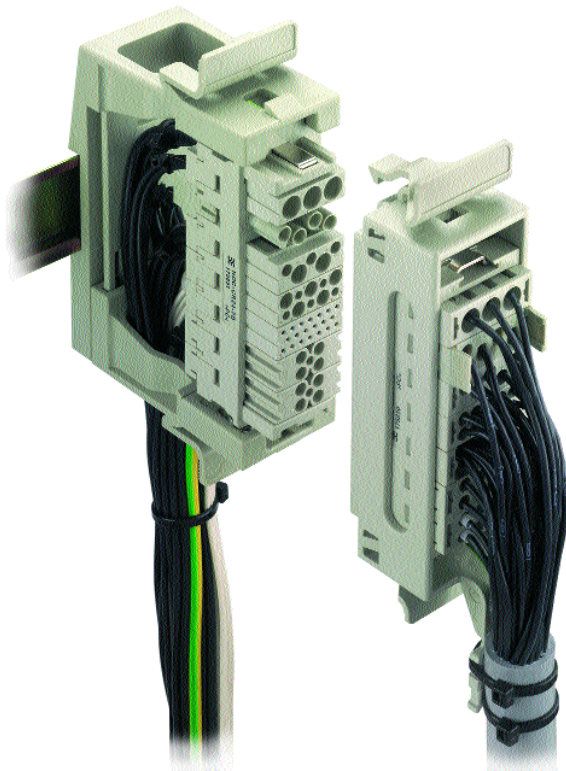


RailMate

Rail Mounting System

NEW



With the new RailMate rail mounting system, socketed connectors are cost effective when used for control cabinet retrofits or when space is at a premium. When used with our modular ConCEPT series, you can combine power and signal in one small space.

- Mounting without the need for tools via easy snap-on units
- Easy to preassemble the cables prior to installation
- More space for cables and choice of 90° or 180° routing
- Simplified direct wiring on TS 35 Rail
- Rail Mount base adjustable for varying numbers of poles
- Greater stability and functional safety
- Error free connection via optional coding set
- Large marking surface

United States

Weidmüller Inc.
821 Southlake Blvd.
Richmond, Virginia 23236
Telephone: (800) 849-9343
Facsimile: (804) 379-2593
Email: info@weidmuller.com
Website: www.weidmuller.com

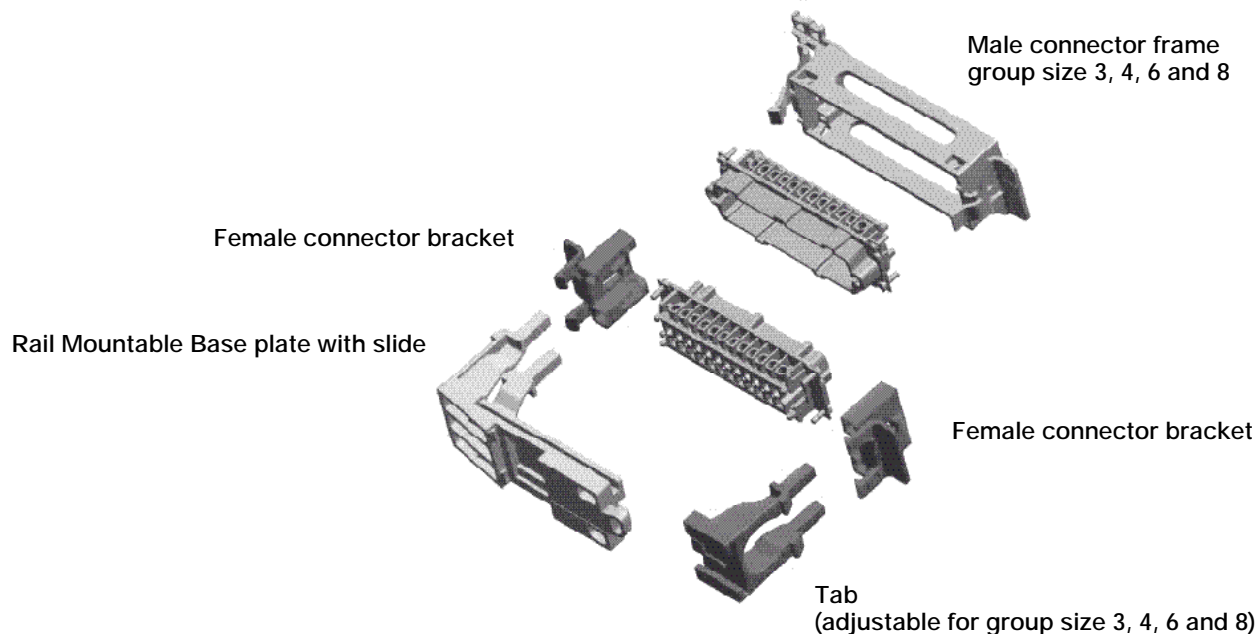
Canada

Weidmüller Ltd.
10 Spy Court
Markham, Ontario L3R-5H6
Telephone: (800) 268-4080
Facsimile: (905) 475-2798
Email: info1@weidmuller.ca
Website: www.weidmuller.ca

Mexico

Weidmüller, S.A. de C.V.
5 Sur No. 4311
Col. Huexotitla
72534 Puebla, Pue. Mexico
Telephone: (22) 37 2549
Facsimile: (22) 43 1981
Email: weidmull@acnet.net

Weidmüller 



Sets comprise a complete mounting system:

- 1 Rail mountable base plate with slide
- 1 Tab
- 2 Female connector brackets
- 1 Male connector frame

Mounting System:

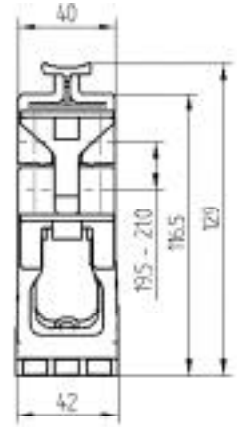
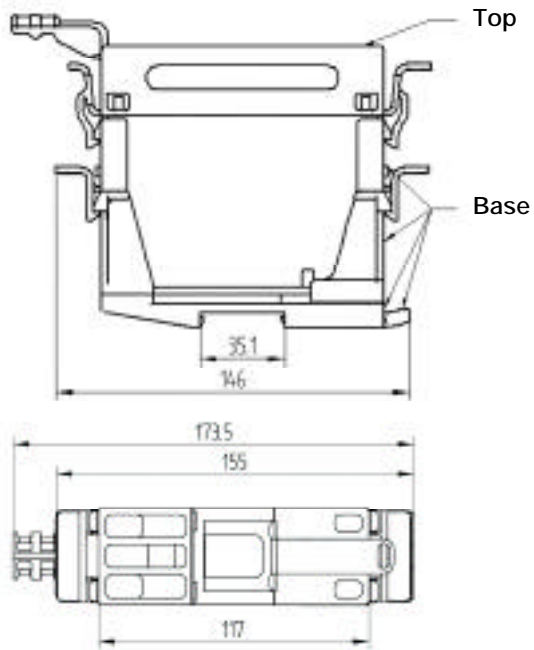
Use with top-hat rail in accordance with DIN EN 50022 - 35 x 7.5 and DIN EN 50022 - 35 x 15

Material	Polycarbonate
Color	Pebble gray, RAI 7032
Material Property	Phosphorous and halogen-free
Flammability class	V0 in accordance with UL 94
Temperature range	-40°C to 125°C





Male and female connectors will vary according to application requirements. Weidmuller has complete inserts and modular frames and inserts available to suit almost every application. See HDC Selection Guide (LIT9601 06/00).

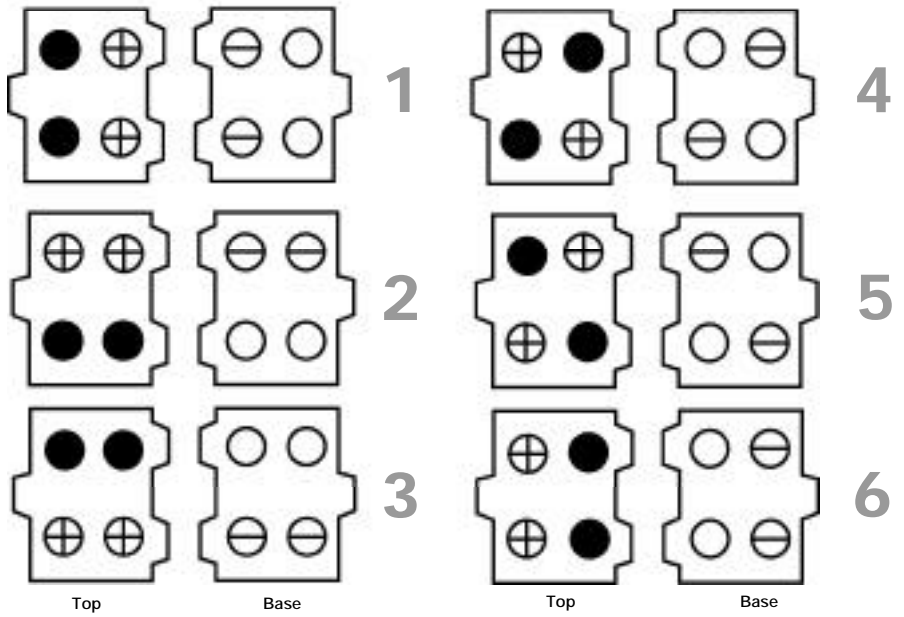
Ordering Information

Description	Type	Part No.	Qty	
Sets				
Set for connector group size 3	HDC RailMate HB6 Set	1797500000	1	
Set for connector group size 4	HDC RailMate HB10 Set	1797510000	1	
Set for connector group size 6	HDC RailMate HB16 Set	1797520000	1	
Set for connector group size 8	HDC RailMate HB24 Set	1797530000	1	
Individual components				
Male connector frames for group size 3	HDC RailMate HB6 Top	1797540000	10	
Male connector frames for group size 4	HDC RailMate HB10 Top	1797550000	10	
Male connector frames for group size 6	HDC RailMate HB16 Top	1797560000	10	
Male connector frames for group size 8	HDC RailMate HB24 Top	1797580000	10	
Baseplate with slide, tab and 2 female connector brackets for group sizes 3, 4, 6 and 8	HDC RailMate Base	1797580000	1	
Accessories				
Coding set with 50 pins and 50 plugs	HDC RailMate COS	1798260000	1	
Labels for Laserprinter (264 pieces / DIN A 4 sheets)	LM MT 300 20/8	silver	1686380001	10 sheets
		white	1686381044	10 sheets
		yellow	1686381687	10 sheets
Labels for thermal transfer printer (10,000 pieces/roll)	THM MT30X 32/9	silver	1751770001	1 roll
		white	1751771044	1 roll
		yellow	1751771687	1 roll



Coding scheme

-  coding pins
-  fastening screw
-  coding plugs
-  Open



Mounting System

